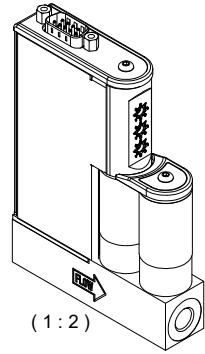
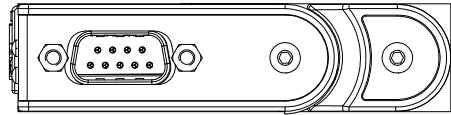
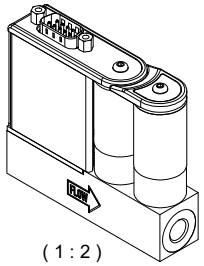
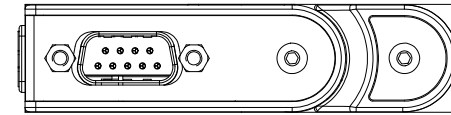


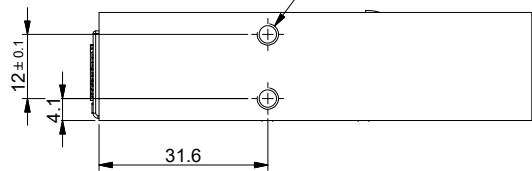
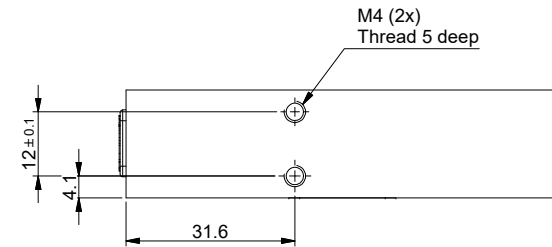
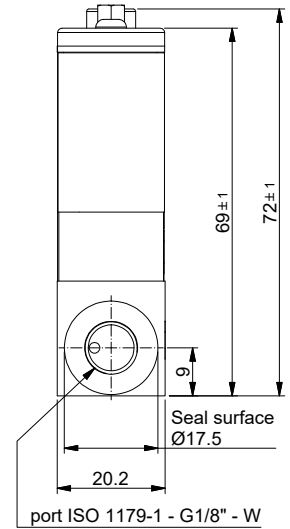
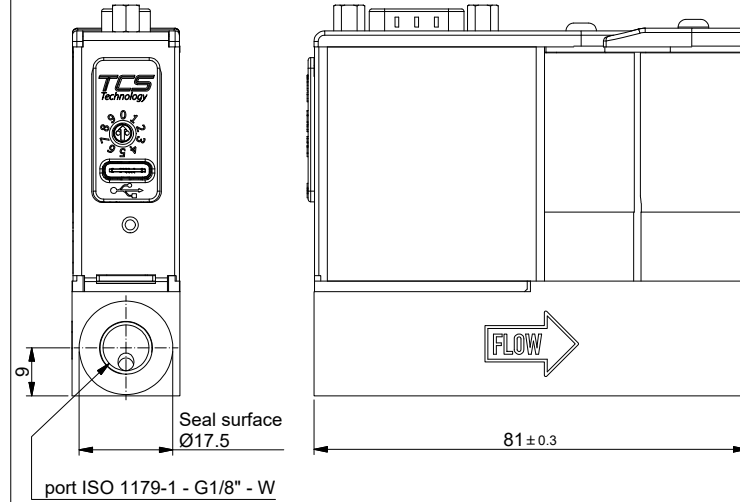
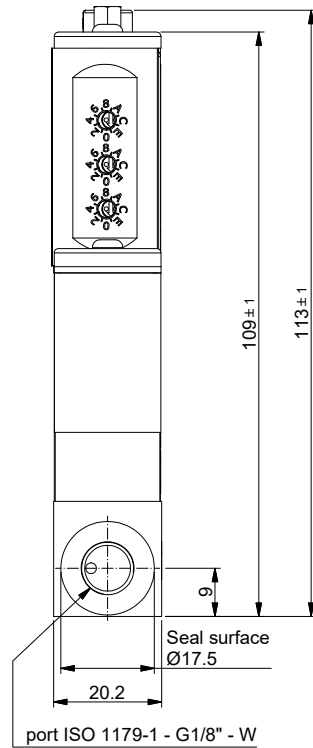
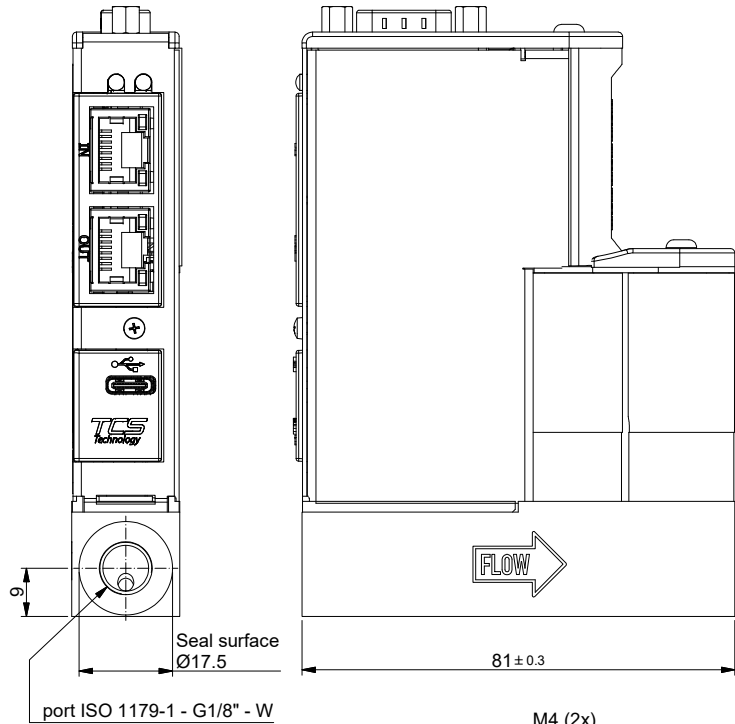
Ethernet based



(1 : 2)



(1 : 2)



Dimensions subject to change without notice.

Tolerances ± 0.2 unless otherwise mentioned

Title: Dimensional drawing  
FLEXI-FLOW Compact FF-a1nS



Projection:  
Third Angle  
Dimensions:  
Metric (mm)

Drawn by: M.H.  
Date: 02-11-2023  
Rev. by:  
Date:  
Checked: V.H.  
Date: 02-11-2023

Revision Description:  
New drawing

Scale:  
1 : 1

A3

Drawing no.: 7.15.286

Rev: A

Page:  
1 - 1