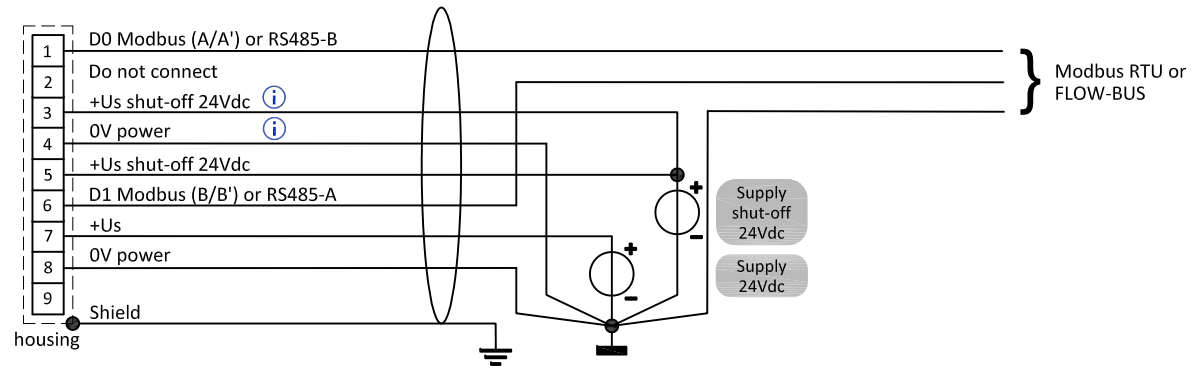
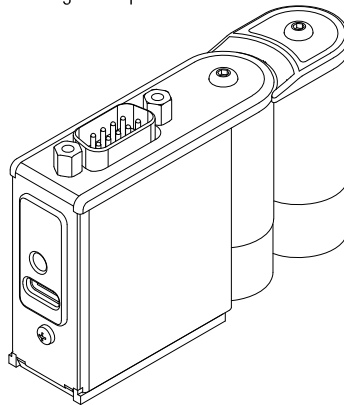
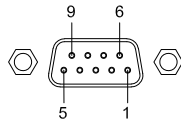


9 pin D-Sub
connector
chassis part
male



9 pin D-Sub
connector
cable part
female

ⓘ Pin 3 and 5 are internally connected.
Pin 4 and 8 are internally connected.

⚠ For reliable measurements, it is important to reduce interference from outside noise on the signals.

- When connecting to other devices, ensure that the integrity of the shielding is maintained.
- Use shielded cables and wire terminals.