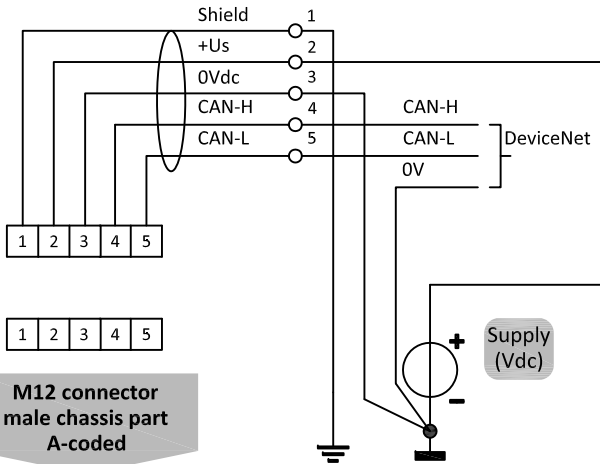


**DeviceNet connection**

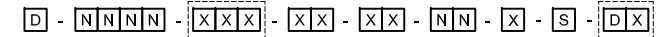


M12 connector male chassis part A-coded

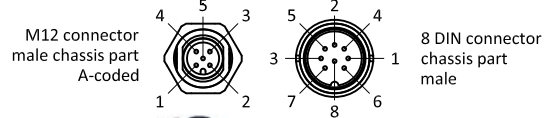
**Types**

D-6300 Series

**Model key explanation**

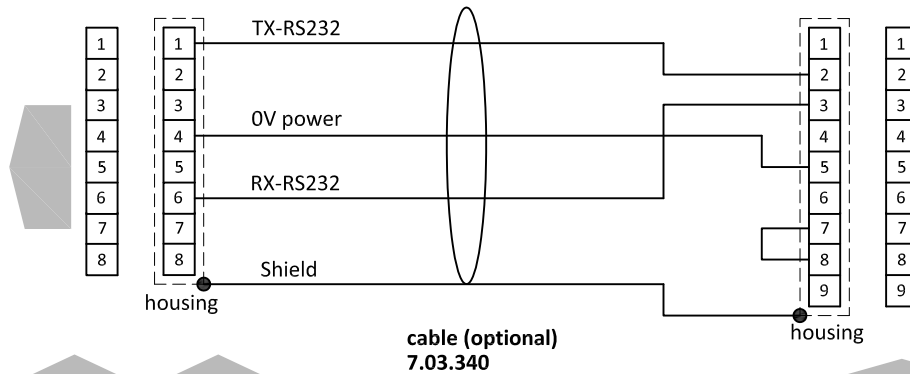


- A** Output / setpoint 0...5Vdc
- B** Output / setpoint 0...10Vdc
- F** Output 0...20mA dc sourcing  
Setpoint 0...20mA dc sinking
- G** Output 4...20mA dc sourcing  
Setpoint 4...20mA dc sinking
- D** +15Vdc ... 24Vdc power supply  
standard power supply DeviceNet: 24Vdc
- N** DeviceNet \*  
\* standard power supply DeviceNet : 24Vdc



M12 connector male chassis part A-coded

8 DIN connector chassis part male



8 DIN connector chassis part male

8 DIN connector cable part female

RS232 COM -port 9 pin D-Sub connector chassis part male

Note:  
When using a field bus or RS232, it is not possible to operate the instrument by using the setpoint signal of the analog 8 DIN connector without changing the value of parameter "control mode".  
See doc.no. 9.17.023 for more details

Note:  
Do not connect an external valve to instruments, set as MFM.

Note:  
Powering a single instrument is possible by the 8 DIN connector.  
See doc. no. 9.16.092 for the hook-up diagram.