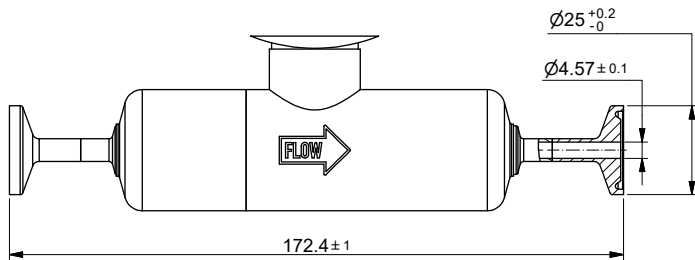
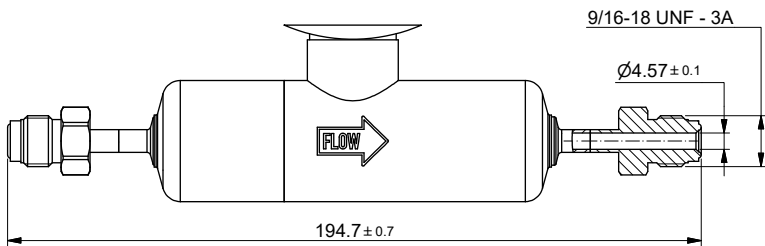


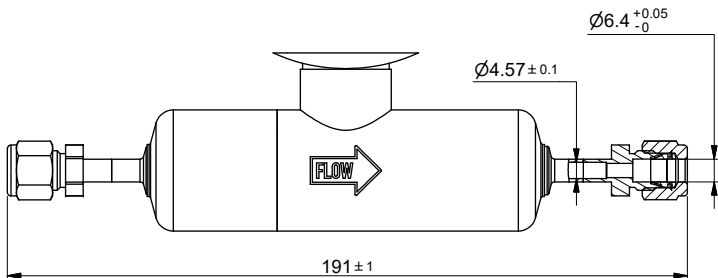
Dimension 1/2" Triclamp adapter



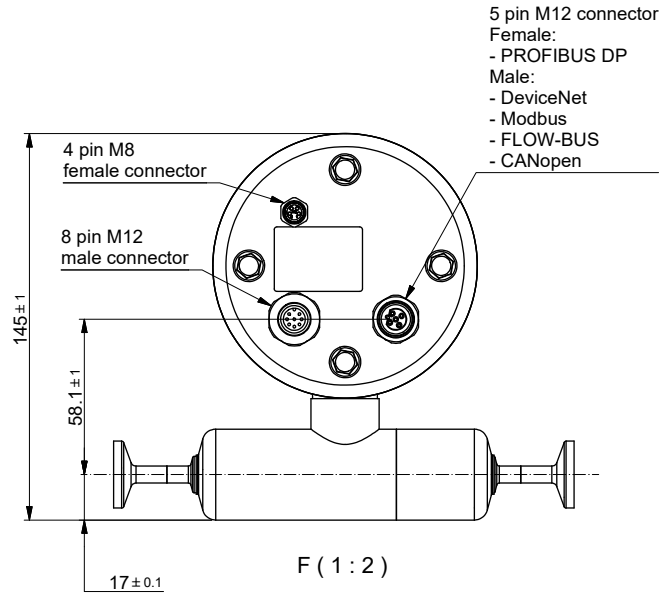
Dimension 1/4" Triclamp adapter



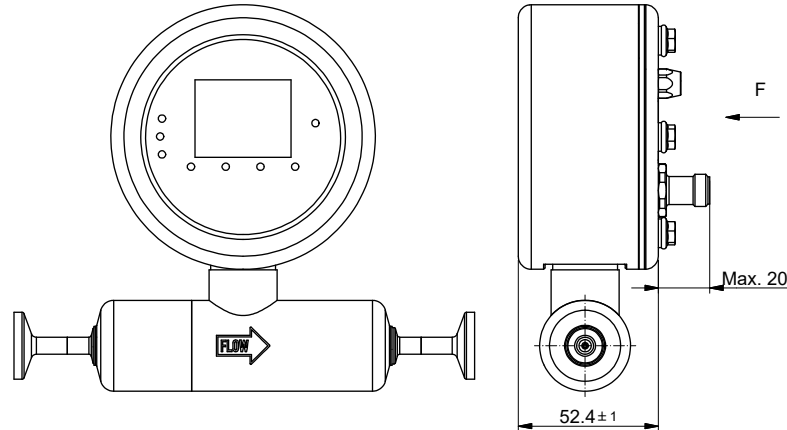
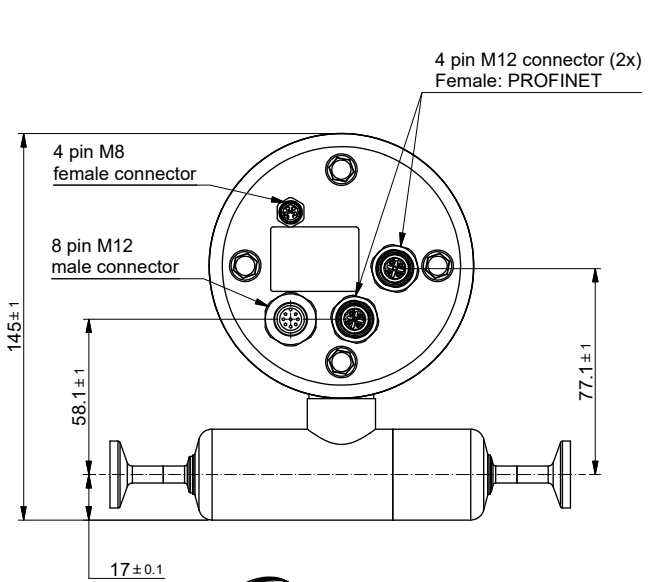
Dimension 1/4" male face seal adapter




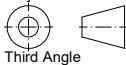
Dimension OD adapters



F (1 : 2)



Dimensions subject to change without notice.
* Please note that the dimension increases when a contra connector is used.

| | | | | | |
|--|--|--|---------------|--|----------------|
| Title: Dimensional drawing ES-103I / ES-113I | | Designer: E.Te. Date: 21-02-2020 | | Revision Description: Update position connectors. | |
|  Projection:  Third Angle Dimensions: Metric (mm) | | Rev. by: M.H. Date: 04-08-2020 | | Scale: 1 : 1.5 | |
| | | Checked: K.B./E.E. Date: 04-08-2020 | | A3 | |
| Drawing no.: 7.15.217 | | | Rev: B | | Page: 1 - 1 |